

Door rolls up/down from bottom



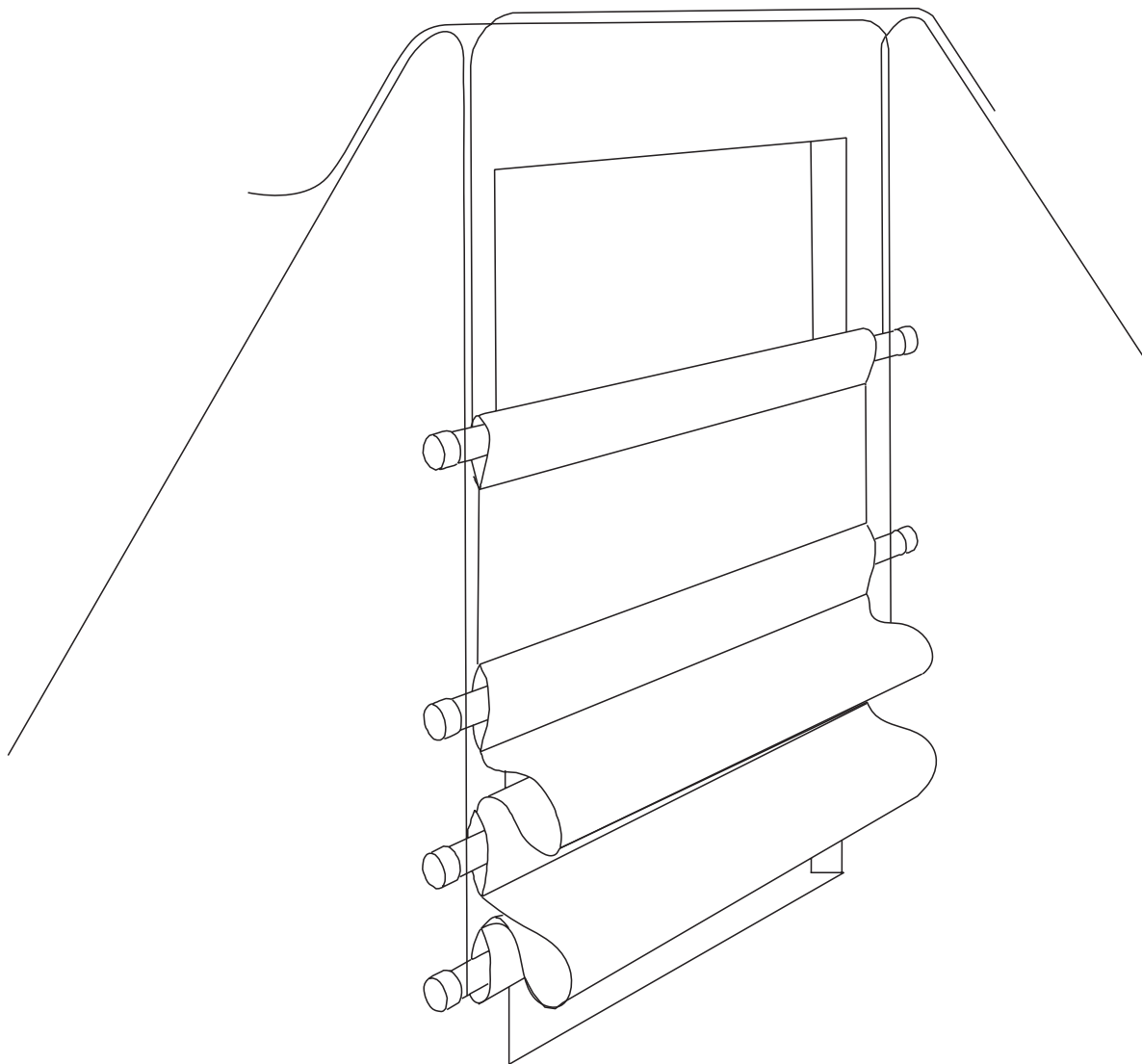
Houghton, IA 52631 USA

Ph: 800-553-1791 Email: sales@hawkeysteel.com
 Fx: 319-469-4141 Web: www.spantechbuildings.com

This drawing is property of Hawkeye Steel Products, Inc. Any reproduction of the drawing without consent of Hawkeye Steel Products, Inc. is strictly prohibited.

<Place Dealer Info Here>

Customer	Order Number	Project	Drawn By J.M.B.	Date 2/13/07	Drawing Number CW Opt 1	Revision 1
----------	--------------	---------	--------------------	-----------------	----------------------------	---------------



<Place Dealer Info Here>

Door rolls up/down from top/bottom

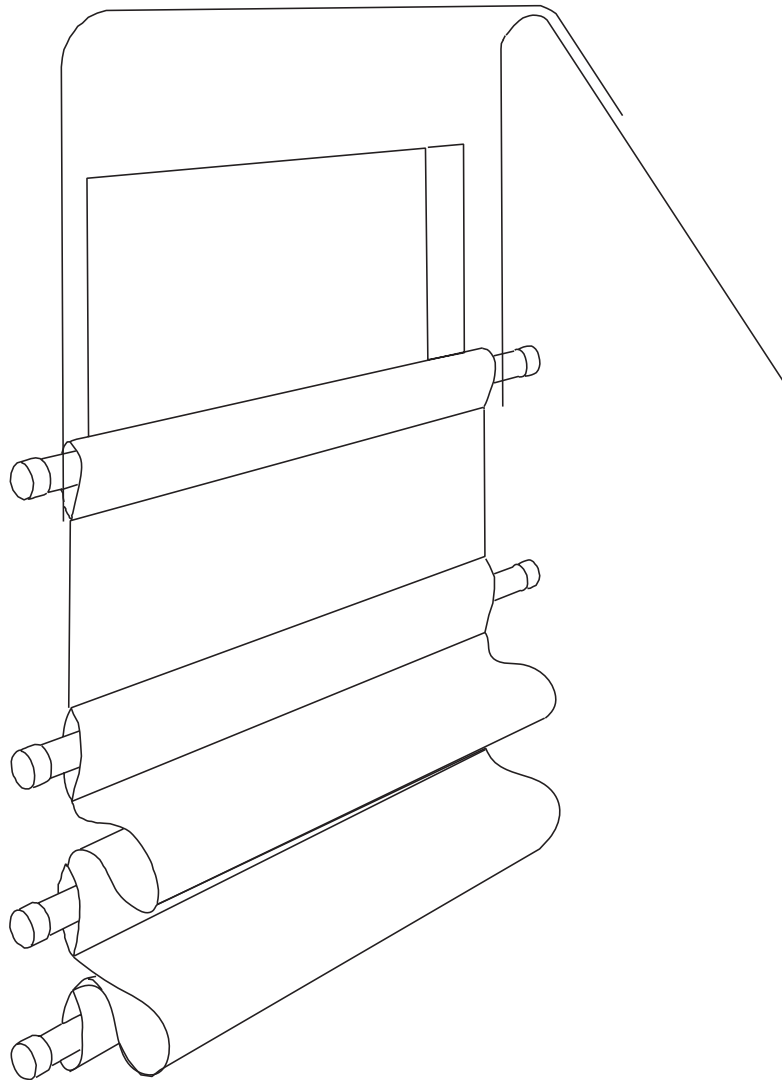


Houghton, IA 52631 USA

Ph: 800-553-1791 Email: sales@hawkeysteel.com
 Fx: 319-469-4141 Web: www.spantechbuildings.com

This drawing is property of Hawkeye Steel Products, Inc. Any reproduction of the drawing without consent of Hawkeye Steel Products, Inc. is strictly prohibited.

Customer	Order Number	Project	Drawn By J.M.B.	Date 2/13/07	Drawing Number CW Opt 2	Revision 1
----------	--------------	---------	--------------------	-----------------	----------------------------	---------------



Door rolls down from top



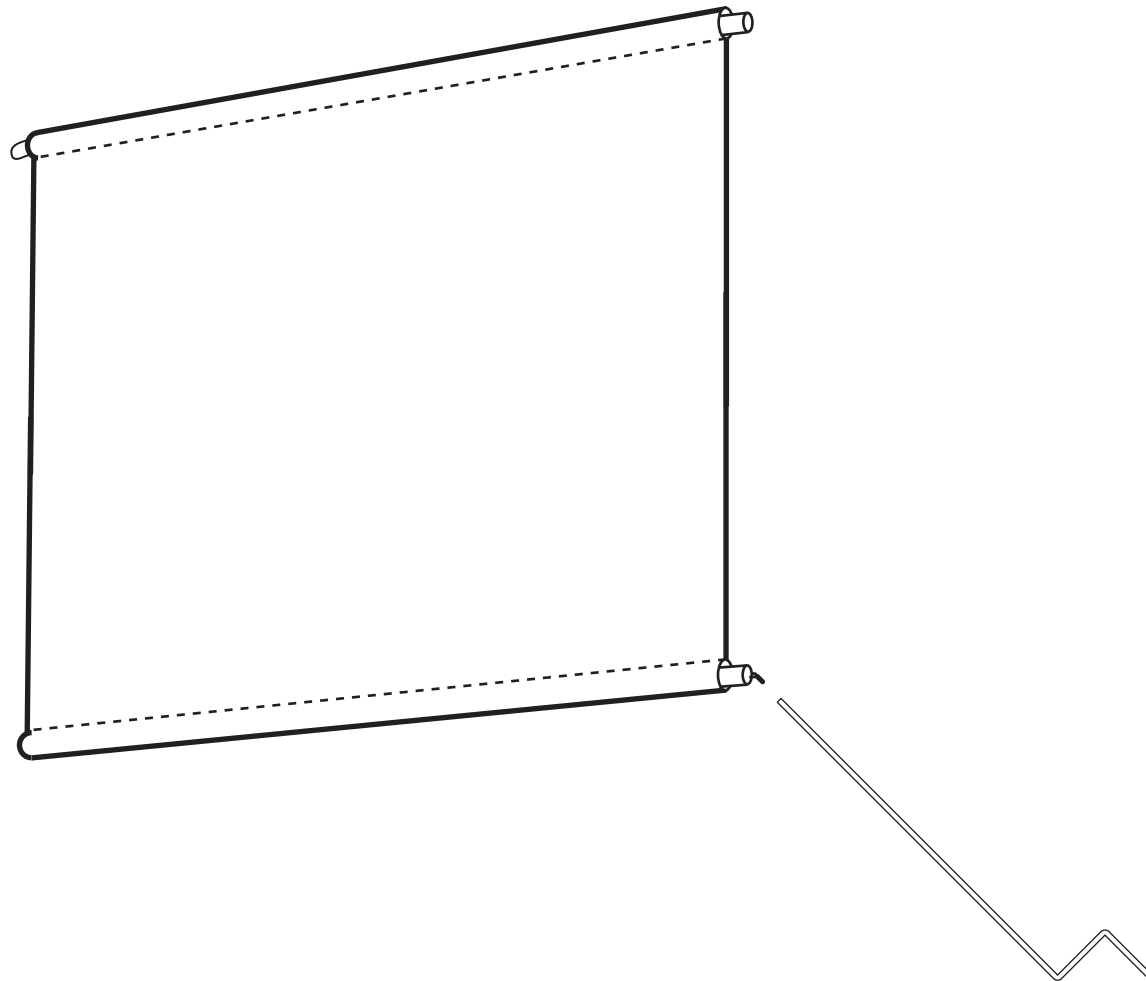
Houghton, IA 52631 USA

Ph: 800-553-1791 Email: sales@hawkeysteel.com
 Fx: 319-469-4141 Web: www.spantechbuildings.com

This drawing is property of Hawkeye Steel Products, Inc. Any reproduction of the drawing without consent of Hawkeye Steel Products, Inc. is strictly prohibited.

<Place Dealer Info Here>

Customer	Order Number	Project	Drawn By J.M.B.	Date 2/13/07	Drawing Number	Revision 1
----------	--------------	---------	---------------------------	------------------------	----------------	----------------------



<Place Dealer Info Here>

Door rolls up/down from bottom



Houghton, IA 52631 USA

Ph: 800-553-1791 Email: sales@hawkeysteel.com
 Fx: 319-469-4141 Web: www.spantechbuildings.com

This drawing is property of Hawkeye Steel Products, Inc. Any reproduction of the drawing without consent of Hawkeye Steel Products, Inc. is strictly prohibited.

Customer	Order Number	Project	Drawn By J.M.B.	Date 2/13/07	Drawing Number Roll-up Door	Revision 1
----------	--------------	---------	--------------------	-----------------	--------------------------------	---------------